

ClearClick® Retro Wooden Radio with Bluetooth (Model VR44)

Quick Start Guide & User's Manual



Full 5-Year Warranty +

FREE USA-Based Tech Support

If you have any issue or question regarding this product, **contacting us directly** is the fastest way to resolve the issue. We are ClearClick®, a small USA-based business, and we stand behind our products with a full 5-year warranty & free USA tech support. If you have any issues with our product, **please contact us at support@clearclick.tech**.



www.ClearClick.tech

Register Your Product & Browse Our Products

Thank you for your purchase! Make sure you register your product & check out our other unique & easy-to-use technology at:

www.ClearClick.tech

Safety Precautions

1. Do not disassemble the unit.
2. Do not operate the unit around water or rain. Do not operate the unit around any kind of machines or appliances (other than computers).
3. Turn off and unplug the unit when not in use.
4. Do not allow young children to use this device.

Thank You!

Thank you for your purchase of the ClearClick® Retro Wooden Radio! (Model VR44) We appreciate your business.

At ClearClick®, we try to make our technology as clear to understand and use as possible. But if you get stuck at any point, you qualify for FREE USA-based tech support as a ClearClick® customer. Just email us at: support@clearclick.tech

(Make sure you explain your issue in detail and tell us that you're using our ClearClick® Retro Wooden Radio - Model Number VR44). Our USA-based tech support team members will normally reply to you within 24-48 business hours.)

QUICK START – Setting Up The Device

1. Securely plug the power plug into a power outlet.

Important Note For Users Outside USA, Canada, and Mexico:

This device is only compatible with standard North American 110V-120V voltage. Do not use with voltages over 110V-120V, as this will permanently damage the device upon first use.

2. Switch the device on by turning the right knob clockwise.
3. The device will start up in either “radio” or “Bluetooth” mode, whichever it was set on during last use.

QUICK START – Listening To AM/FM Radio

1. Switch to either “AM” or “FM” mode using the left knob.
2. Use the middle top knob to adjust the tuning of the radio.
3. Use the middle bottom knob to adjust the tone of the audio.
4. To adjust the volume, turn the right knob.

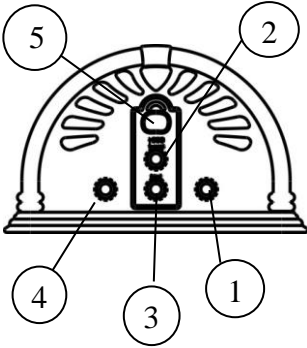
Note: To improve the reception of FM radio, simply adjust the pigtail antenna in the back of the radio.

QUICK START – Playing Music via Bluetooth

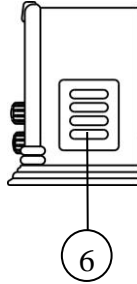
1. Switch the radio to Bluetooth mode by turning the left knob to the “BT” setting.
2. On your phone, tablet, or computer, search for the Bluetooth device named “Vintage Radio VR44.” Connect to this device.
3. The radio’s backlight will stop flashing once successfully connected.
4. Start playing music on your phone, tablet, or computer.
5. To adjust the volume, turn the right knob. (Note: You may also need to adjust the volume on your phone or tablet.)
6. To adjust the tone of the audio, turn the middle bottom knob.

Radio Diagram & Features

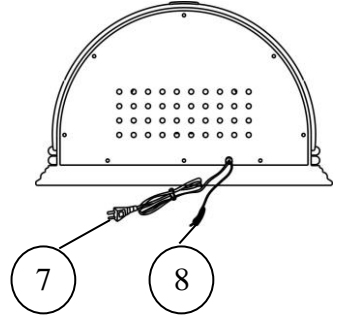
FRONT PANEL



RIGHT PANEL



REAR PANEL



1. ON/OFF AND VOLUME CONTROL KNOB
2. TUNING CONTROL KNOB
3. TONE CONTROL KNOB
4. MODE CONTROL KNOB (AM/FM/Bluetooth)
5. RADIO DIAL DISPLAY
6. SPEAKERS
7. AC POWER CORD (North American voltage only)
8. FM WIRE ANTENNA

Troubleshooting

1. In Bluetooth mode, the radio's volume is turned up all the way, but the sound isn't loud enough.

Make sure you have turned up the volume on your phone, tablet, or MP3 player as well.

2. I need further assistance or information on the product's warranty.

Just email us at support@clearclick.tech, and we'll get right back to you! If you haven't heard back from us within 1-2 business days, please check your "Spam" folder in your email.

(This page was intentionally left blank.)



www.ClearClick.tech